

## GENERAL DESCRIPTION

The HI-3587 from Holt Integrated Circuits is a silicon gate CMOS device for interfacing a Serial Peripheral Interface (SPI) enabled microcontroller to an ARINC 429 serial bus. The device provides one ARINC 429 transmitter with 32 X 32 Transmit FIFO and built-in line driver. Transmit FIFO status can be monitored using the programmable external interrupt pin, or by polling the HI-3587 Status Register. Other features include a programmable option of data or parity in the 32nd bit, and the ability to switch the bit-significance of ARINC 429 labels. Line driver output pins are available with different values of output resistance to provide flexibility when using external lightning protection circuitry.

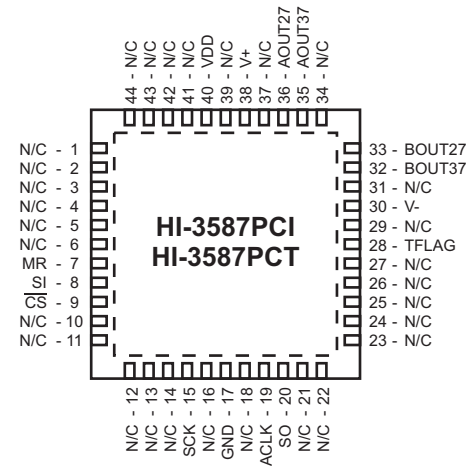
The Serial Peripheral Interface minimizes the number of host interface signals and provides a small footprint device that can be interfaced to a wide variety of industry-standard microcontrollers supporting SPI. Alternatively, the SPI signals may be controlled using four general purpose I/O port pins from a microcontroller or custom FPGA. The SPI and all control signals are CMOS and TTL compatible and support 3.3V or 5V operation.

The HI-3587 applies the ARINC 429 protocol to the transmitter. ARINC 429 databus timing comes from a 1 MHz clock input, or an internal counter can derive it from higher clock frequencies having certain fixed values, possibly the external host processor clock.

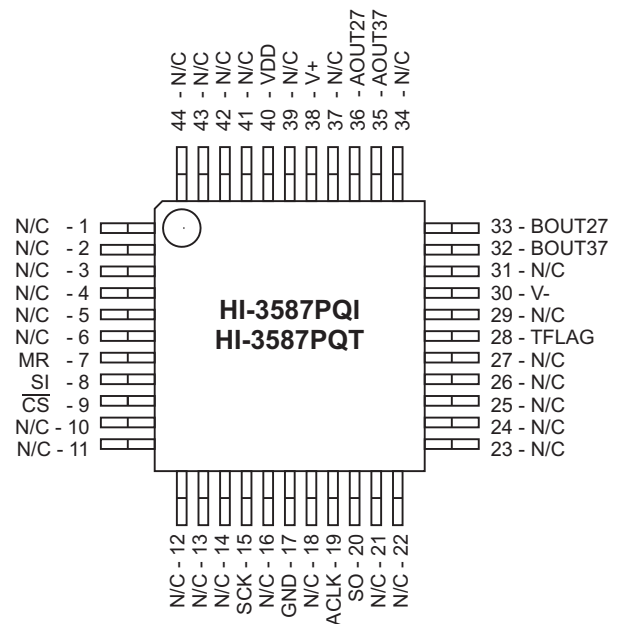
## FEATURES

- ARINC specification 429 compliant
- 3.3V or 5.0V logic supply operation
- On-chip analog line driver connects directly to ARINC 429 bus
- 32 x 32 Transmit Data FIFO
- Programmable data rate selection
- High-speed, four-wire Serial Peripheral Interface
- Label bit-order control
- 32nd transmit bit can be data or parity
- Low power
- Industrial & extended temperature ranges

## PIN CONFIGURATIONS (Top View)

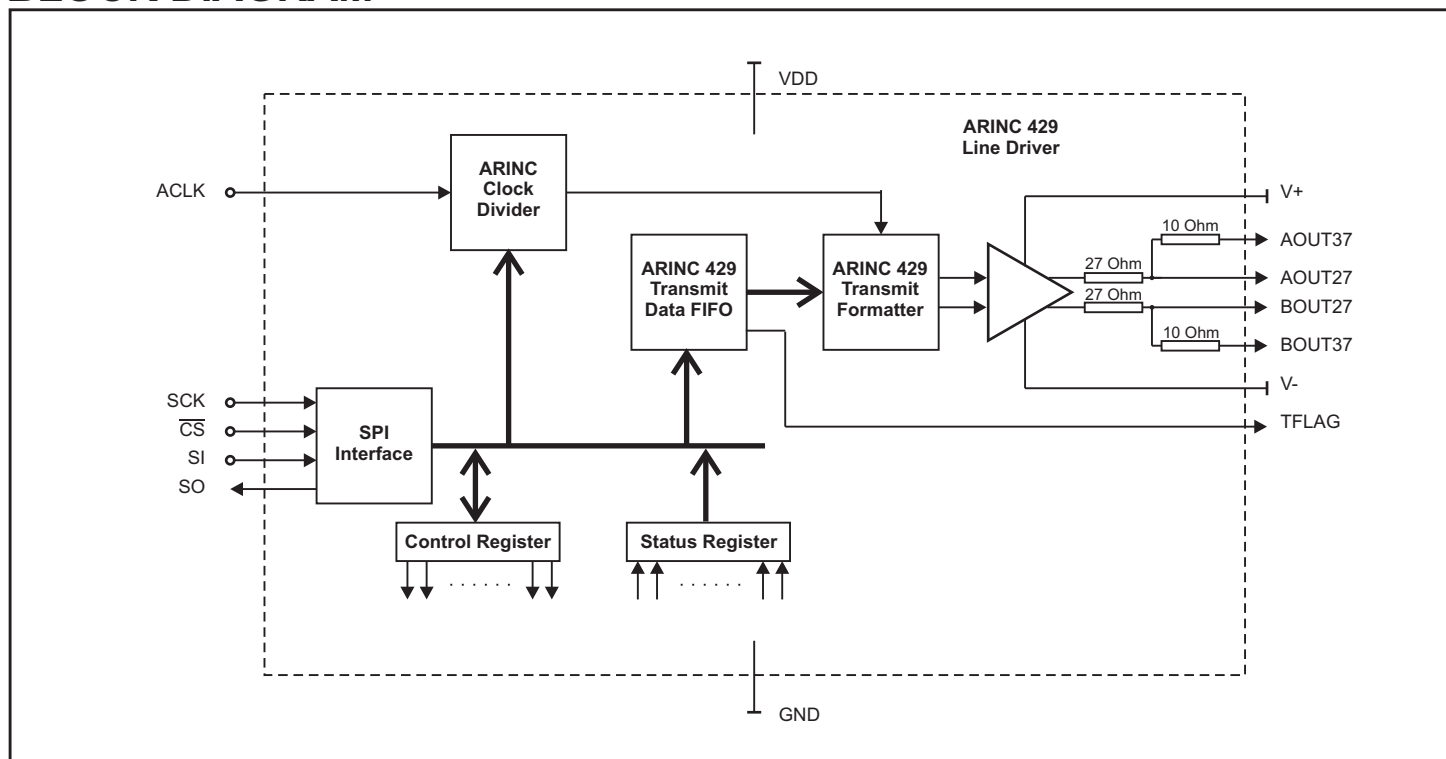


**44 - Pin Plastic 7mm x 7mm  
Chip-Scale Package (QFN)**



**44 - Pin Plastic Quad Flat Pack (PQFP)**

## BLOCK DIAGRAM



## PIN DESCRIPTIONS

SIGNAL	FUNCTION	DESCRIPTION	PULL UP / DOWN
MR	INPUT	Master Reset. A positive pulse clears the Transmit data FIFO and flags	10K ohm pull-down
SI	INPUT	SPI interface serial data input	10K ohm pull-down
$\overline{CS}$	INPUT	Chip select. Data is shifted into SI and out of SO when $\overline{CS}$ is low.	10K ohm pull-up
SCK	INPUT	SPI Clock. Data is shifted into or out of the SPI interface using SCK	10K ohm pull-down
GND	POWER	Chip 0V supply	
ACLK	INPUT	Master timing source for the ARINC 429 transmitter	10K ohm pull-down
SO	OUTPUT	SPI interface serial data output	
TFLAG	OUTPUT	Goes high when ARINC 429 transmit FIFO is empty (CR14=0), or full (CR14=1)	
V-	POWER	Minus 5V power supply to ARINC 429 Line Driver	
BOUT37	OUTPUT	ARINC line driver negative output. Direct connection to ARINC 429 bus	
BOUT27	OUTPUT	Alternate ARINC line driver negative output. Requires external 10 ohm resistor	
AOUT27	OUTPUT	Alternate ARINC line driver positive output. Requires external 10 ohm resistor	
AOUT37	OUTPUT	ARINC line driver positive output. Direct connection to ARINC 429 bus	
V+	POWER	Positive 5V power supply to ARINC 429 Line Driver	
VDD	POWER	3.3V or 5.0V logic power	

# INSTRUCTIONS

Instruction op codes are used to read, write and configure the HI-3587. When  $\overline{CS}$  goes low, the next 8 clocks at the SCK pin shift an instruction op code into the decoder, starting with the first rising SCK edge. The op code is fed into the SI pin, most significant bit first.

For write instructions, the most significant bit of the data word must immediately follow the instruction op code and is clocked into its register on the next rising SCK edge. Data word length varies depending on word type written: 16-bit writes to Control Register or 32-bit ARINC word writes to transmit FIFO.

For read instructions, the most significant bit of the requested data word appears at the SO pin after the last op code bit is clocked into the decoder, at the next falling SCK edge. As in write instructions, read instruction data field bit-length varies with read instruction type.

Table 1 lists all instructions. Instructions that perform a reset or set, or enable transmission are executed after the last SI bit is received while  $\overline{CS}$  is still low.

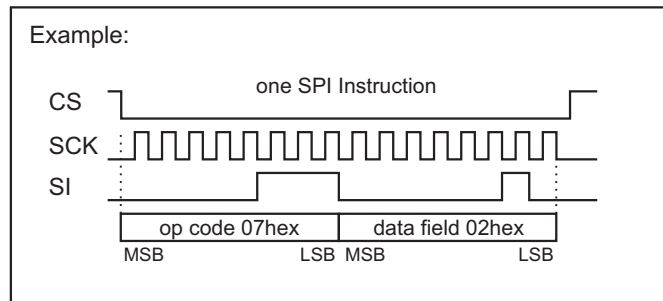


TABLE 1. DEFINED INSTRUCTION OP CODES

OP CODE Hex	DATA FIELD	DESCRIPTION
00	None	No instruction implemented
01	None	After the 8th op-code bit is received, perform Master Reset (MR)
02	None	No instruction implemented
03	None	No instruction implemented
04	None	No instruction implemented
05	None	No instruction implemented
06	None	No instruction implemented
07	8 bits	Programs a division of the ACLK input. If the divided ACLK frequency is 1 MHz and Control Register bit CR1 is set, the ARINC transmitter operates from the divided ACLK clock. Allowable values for division rate are X1, X2, X4, X8, or XA hex. Any other programmed value results in no clock. Note: ACLK input frequency and division ratio must result in 1 MHz clock."
08	[Note 1]	Reserved [Note 1]
09	[Note 1]	Reserved [Note 1]
0A	8 bits	Read the Status Register
0B	16 bits	Read the Control Register
0C	8 bits	Read the ACLK divide value programmed previously using op code 07 hex
0D	[Note 1]	Reserved [Note 1]
0E	N x 32 Bits	Write up to 32 words into the next empty position of the Transmitter FIFO
0F	None	No instruction implemented
10	16 bits	Write the Control Register
11	None	Reset the Transmitter FIFO. After the 8th op-code bit is received, the Xmit FIFO will be empty
12	None	Transmission enabled by this instruction only if Control Register bit 13 is zero

Note 1: This instruction is reserved for factory test only. If executed, up to 1,024 data bits may be output from the SO pin.

## FUNCTIONAL DESCRIPTION

### CONTROL WORD REGISTER

The HI-3587 has a 16-bit Control Register which configures the device. Control Register bits CR15 - CR0 are loaded from a 16-bit data value appended to SPI instruction 10 hex. The Control Register contents may be read using SPI instruction 0B hex. Each bit of the Control Register has the following function:

CR Bit	FUNCTION	STATE	DESCRIPTION
CR0 (LSB)	-	X	Not used
CR1	ARINC Clock Source Select	0	ARINC CLK = ACLK input frequency
		1	ARINC CLK = ACLK divided by the value programmed with SPI Instruction 07 hex
CR2	-	X	Not used
CR3	Transmitter Parity Bit Enable	0	Transmitter 32nd bit is data
		1	Transmitter 32nd bit is parity
CR4	-	X	Not used
CR5	-	X	Not used
CR6	-	X	Not used
CR7	-	X	Not used
CR8	-	X	Not used
CR9	Transmitter Parity Select	0	Transmitter 32nd bit is Odd parity
		1	Transmitter 32nd bit is Even parity
CR10	Transmitter Data Rate	0	Data rate=CLK/10, O/P slope=1.5u
		1	Data rate=CLK/80, O/P slope=10us
CR11	ARINC Label Bit Order	0	Label bit order reversed (See Table 2)
		1	Label bit order same as transmitted (See Table 2)
CR12	Disable Line Driver	0	Line Driver enabled
		1	Line Driver disabled (force outputs to Null state)
CR13	Transmission Enable Mode	0	Start transmission by SPI instruction 12h
		1	Transmit whenever data is available in the Transmit FIFO
CR14	TFLAG Definition	0	TFLAG goes high when transmit FIFO is empty
		1	TFLAG goes high when transmit FIFO is full
CR15 (MSB)	-	X	Not used

### STATUS REGISTER

The HI-3587 contains an 8-bit Status Register which can be interrogated to determine status of the ARINC Transmit FIFO. The Status Register is read using SPI instruction 0A hex. Unused bits are undefined and may be read as either "1" or "0". The following table defines the Status Register bits.

SR Bit	FUNCTION	STATE	DESCRIPTION
SR0 (LSB)	Not used	X	Undefined
SR1	Not used	X	Undefined
SR2	Not used	X	Undefined
SR3	Transmit FIFO Empty	0	Transmit FIFO not empty. Sets to One when all data has been sent. TFLAG pin reflects the state of this bit when CR14=0
		1	Transmit FIFO is empty.
SR4	Transmit FIFO Half Full	0	Transmit FIFO contains less than 16 words
		1	Transmit FIFO contains at least 16 words
SR5	Transmit FIFO Full	0	Transmit FIFO not full. TFLAG pin reflects the state of this bit when CR14=1
		1	Transmit FIFO full.
SR6	Not used	0	Always 0
SR7 (MSB)	Not used	0	Always 0

# FUNCTIONAL DESCRIPTION (cont.)

## ARINC 429 DATA FORMAT

Control Register bit CR11 controls how individual bits in the transmitted ARINC word are mapped to the HI-3587 SPI data word bits during data read or write operations. The following table describes this mapping:

Table 2. SPI / ARINC bit-mapping												
SPI Order	1	2 - 22	23	24	25	26	27	28	29	30	31	32
ARINC bit	32	31 - 11	10	9	1	2	3	4	5	6	7	8
CR11=0	Parity	Data	SDI	SDI	Label (MSB)	Label	Label	Label	Label	Label	Label	Label (LSB)
ARINC bit	32	31 - 11	10	9	8	7	6	5	4	3	2	1
CR11=1	Parity	Data	SDI	SDI	Label (LSB)	Label	Label	Label	Label	Label	Label	Label (MSB)

## TRANSMITTER

### FIFO OPERATION

The Transmit FIFO is loaded with ARINC 429 words awaiting transmission. SPI op code 0E hex writes up to 32 ARINC words into the FIFO, starting at the next available FIFO location. If Status Register bit SR3 equals "1" (FIFO empty), then up to 32 words (32 bits each) may be loaded. If Status Register bit SR3 equals "0" then only the available positions may be loaded. If all 32 positions are full, Status Register bit SR5 is asserted. Further attempts to load the Transmit FIFO are ignored until at least one ARINC word is transmitted.

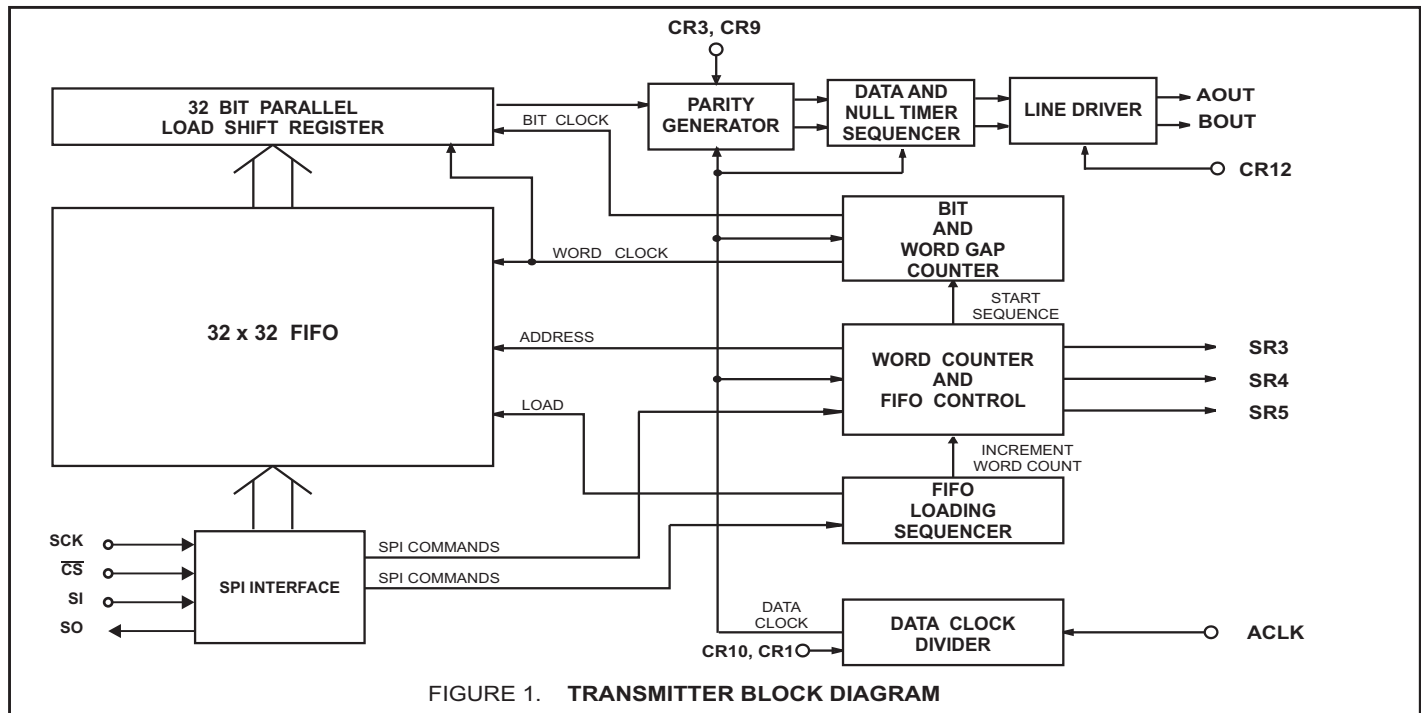


FIGURE 1. TRANSMITTER BLOCK DIAGRAM

The Transmit FIFO half-full flag (Status Register bit SR4) equals "0" when the Transmit FIFO contains less than 16 words. When SR4 equals "0", the system microprocessor can safely initiate a 16-word ARINC block-write sequence.

In normal operation (Control Register bit CR3 = "1"), the 32nd bit transmitted is a word parity bit. Odd or even parity is selected by programming Control Register bit CR9 to a "0" or "1" respectively. If Control Register bit CR3 equals "0", all 32 bits loaded into the Transmit FIFO are treated as data and are transmitted.

SPI op code 11 hex asynchronously clears all data in the Transmit FIFO.

## DATA TRANSMISSION

If Control Register bit CR13 equals "1", ARINC 429 data is transmitted immediately following the CS rising edge of the SPI instruction that loaded data into the Transmit FIFO. Loading Control Register bit CR13 to "0" allows the software to control transmission timing; each time a 12 hex SPI op code is executed, all loaded Transmit FIFO words are transmitted. If new words are loaded into the Transmit FIFO before transmission stops, the new words will also be output. Once the Transmit FIFO is empty and transmission of the last word is complete, the FIFO can be loaded with new data which is held until the next SPI 12 hex instruction is executed. Once transmission is enabled, the FIFO positions are incremented with the top register loading into the data transmission shift register. Within 2.5 data clocks the first data bit appears at AOUT and BOUT. The 31 or 32 bits in the data transmission shift register are presented sequentially to the outputs in the ARINC 429 format with the following timing:

## FUNCTIONAL DESCRIPTION (cont.)

	<u>HIGH SPEED</u>	<u>LOW SPEED</u>
ARINC DATA BIT TIME	10 Clocks	80 Clocks
DATA BIT TIME	5 Clocks	40 Clocks
NULL BIT TIME	5 Clocks	40 Clocks
WORD GAP TIME	40 Clocks	320 Clocks

The word counter detects when all loaded positions have been transmitted and sets the Status Register transmitter ready flag, SR3, high.

### TRANSMITTER PARITY

The parity generator counts the Ones in the 31-bit word. If control register bit CR9 is set to a "0", the 32nd bit transmitted will make parity odd. If the control bit is a "1", the parity is even. Setting CR3 to "0" bypasses the parity generator, and allows 32 bits of data to be transmitted.

### LINE DRIVER OPERATION

The line driver in the HI-3587 directly drives the ARINC 429 bus. The two ARINC outputs (AOUT37 and BOUT37) provide a differential voltage to produce a +10V One, a -10V Zero, and a 0 Volt Null. Control Register bit CR10 controls both the transmitter data rate and the slope of the differential output signal. No additional hardware is required to control the slope.

Transmit timing is derived from a 1MHz reference clock. Control register bit CR1 determines the reference clock source. If CR1 equals "0," a 50% duty cycle 1MHz clock should be applied to the ACLK input pin. If CR1 equals "1," the ACLK input is divided to generate the 1 MHz ARINC clock. SPI op code 07 hex provides the HI-3587 with the correct division ratio to generate a 1 MHz reference from ACLK.

Loading Control Register bit CR10 to "0" causes a 100 Kbit/s data rate and a slope of 1.5  $\mu$ s on the ARINC outputs. Loading CR10 to "1" causes a 12.5 Kbit/s data rate and a slope of 10  $\mu$ s. Timing is set by an on-chip resistor and capacitor and tested to be within ARINC 429 requirements.

### LINE DRIVER OUTPUT PINS

The HI-3587 AOUT37 and BOUT37 pins have 37.5 Ohms in series with each line driver output, and may be directly connected to an ARINC 429 bus. The alternate AOUT27 and BOUT27 pins have 27 ohms of internal series resistance and require external 10 ohm resistors at each pin. AOUT27 and BOUT27 are for applications where external series resistance is applied, usually for lightning protection.

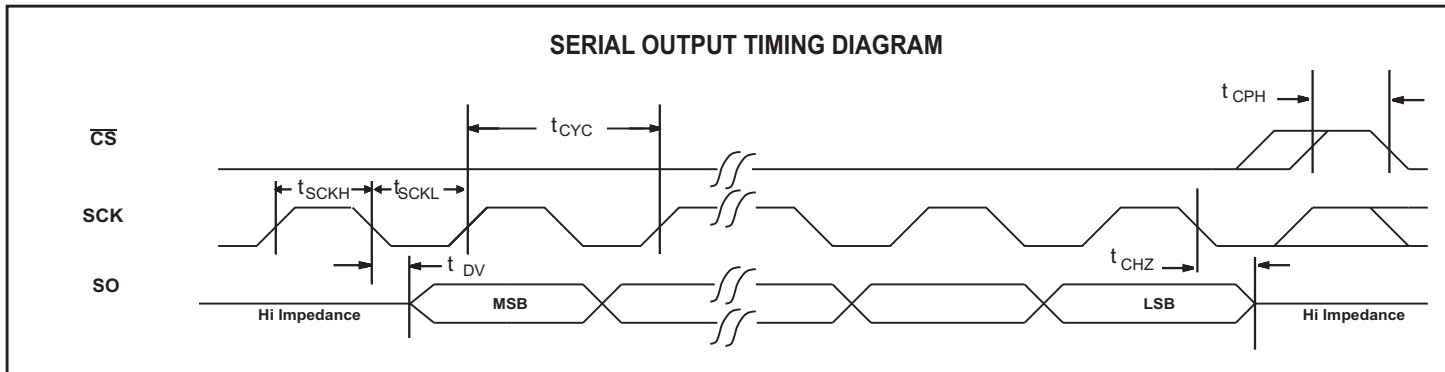
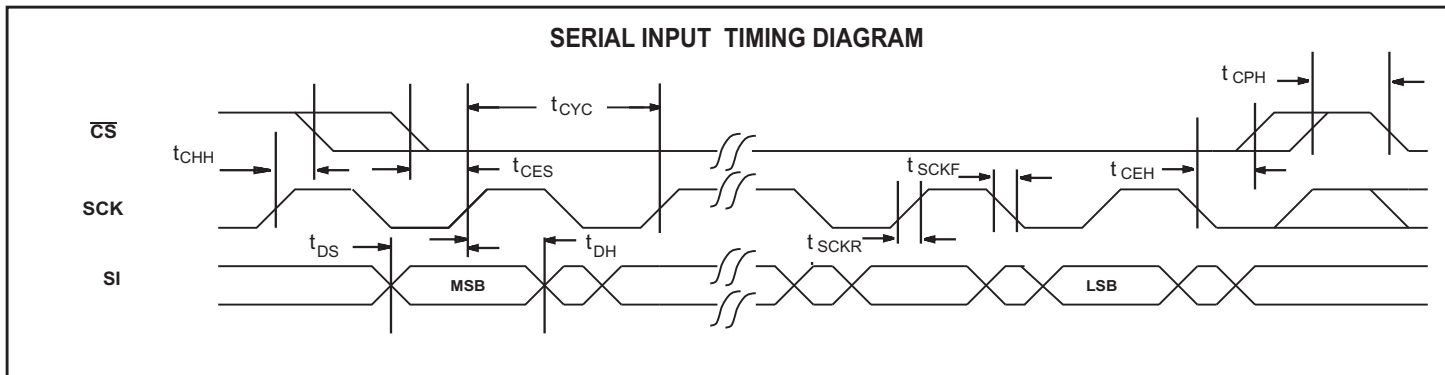
### POWER SUPPLY SEQUENCING

Power supply sequencing should be controlled to prevent large currents during supply turn-on and turn-off. The recommended sequence is V+ followed by VDD, always ensuring that V+ is the most positive supply. The V- supply is not critical and can be applied at any time.

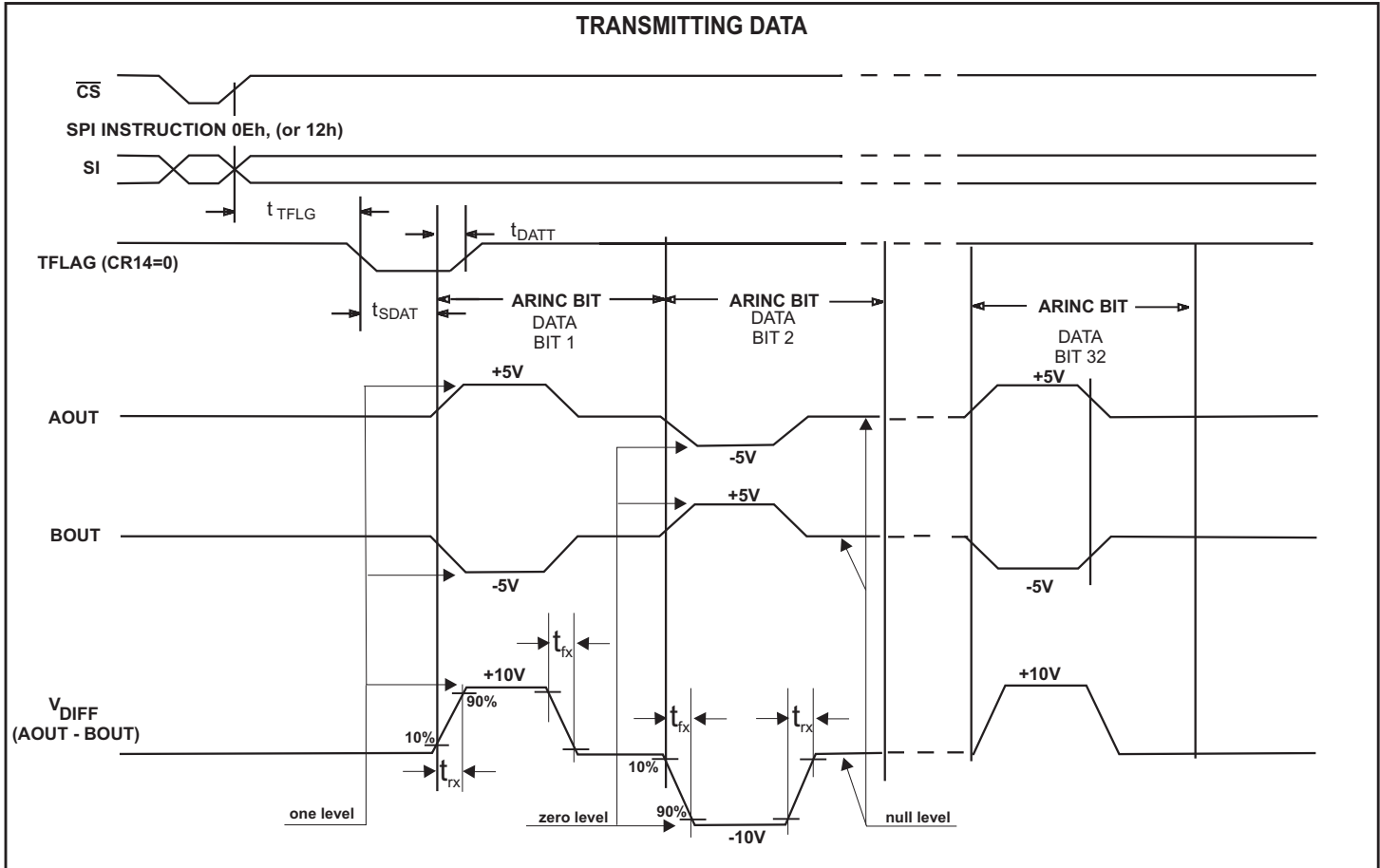
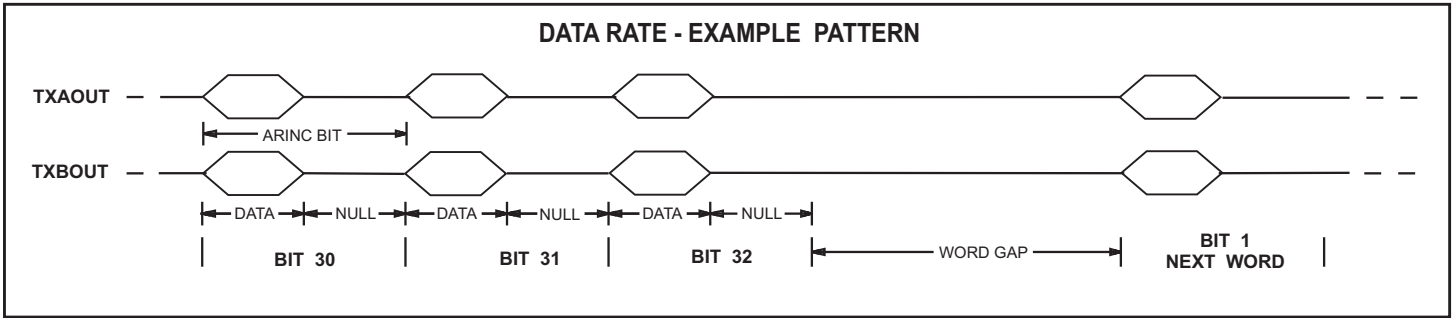
### MASTER RESET (MR)

Application of a Master Reset causes immediate termination of data transmission. The transmit FIFO is cleared. Status Register FIFO flags and FIFO status output signal TFLAG is also cleared. The Control Register is not affected by a Master Reset.

## TIMING DIAGRAMS



**TIMING DIAGRAMS (Cont.)**



**HEAT SINK - CHIP-SCALE PACKAGE ONLY**

The HI-3587PCI and HI-3587PCT use a 44-pin plastic chip-scale package. This package has a metal heat sink pad on its bottom surface. This heat sink is electrically connected to the die. To enhance thermal dissipation, the

heat sink can be soldered to matching circuit board pad. The heat sink may be connected to V+ or left floating.

Do not connect heat sink pad to VDD, GND or V-.

## ABSOLUTE MAXIMUM RATINGS

Supply Voltages VDD ..... -0.3V to +7.0V V+ ..... +7.0V V- ..... -7.0V	Power Dissipation at 25°C Plastic Quad Flat Pack ..... 1.5 W, derate 10mW/°C
Voltage at any logic pin ..... -0.3V to VDD +0.3V	Storage Temperature Range ..... -65°C to +150°C
DC Current Drain per pin ..... ±10mA	Operating Temperature Range (Industrial): .... -40°C to +85°C (Hi-Temp): .....-55°C to +125°C
Solder temperature (Leads) ..... 280°C for 10 seconds (Package) ..... 220°C	

NOTE: Stresses above those listed under "Absolute Maximum Ratings" may cause permanent damage to the device. These are stress ratings only. Functional operation of the device at these or any other conditions above those indicated in the operational sections of the specifications is not implied. Exposure to absolute maximum rating conditions for extended periods may affect device reliability.

## DC ELECTRICAL CHARACTERISTICS

VDD = 3.3V or 5.0V , V+ = +5V, V- = -5V, GND = 0V, TA = Operating Temperature Range (unless otherwise specified).

PARAMETER	SYMBOL	CONDITIONS	LIMITS			UNIT	
			MIN	TYP	MAX		
<b>LOGIC INPUTS</b>							
Input Voltage:	Input Voltage HI Input Voltage LO	V <sub>IH</sub> V <sub>IL</sub>	80% VDD		20% VDD	V V	
Input Current:	Input Sink Input Source Pull-down Current (MR, SI, SCK, ACLK pins) Pull-up Current ( $\overline{CS}$ pin)	I <sub>IH</sub> I <sub>IL</sub> I <sub>PD</sub> I <sub>PU</sub>	-1.5 250 -600		1.5 600 -300	μA μA μA	
<b>ARINC OUTPUTS - Pins AOUT37, BOUT37, (or AOUT27, BOUT27 with external 10 Ohms)</b>							
ARINC output voltage (Ref. To GND)	One or zero Null	V <sub>DOUT</sub> V <sub>NOUT</sub>	No load and magnitude at pin,	4.50 -0.25	5.00 0.25	5.50 0.25	V V
ARINC output voltage (Differential)	One or zero Null	V <sub>DDIF</sub> V <sub>NDIF</sub>	No load and magnitude at pin,	9.0 -0.5	10.0	11.0 0.5	V V
ARINC output current		I <sub>OUT</sub>	Momentary current	80			mA
<b>LOGIC OUTPUTS</b>							
Output Voltage:	Logic "1" Output Voltage Logic "0" Output Voltage	V <sub>OH</sub> V <sub>OL</sub>	I <sub>OH</sub> = -100μA I <sub>OL</sub> = 1.0mA	90%VDD		10% VDD	V V
Output Current: (All Outputs & Bi-directional Pins)	Output Sink Output Source	I <sub>OL</sub> I <sub>OH</sub>	V <sub>OUT</sub> = 0.4V V <sub>OUT</sub> = V <sub>DD</sub> - 0.4V	1.6		-1.0	mA mA
Output Capacitance:		C <sub>O</sub>			15		pF
<b>Operating Voltage Range</b>							
	VDD			3.15		5.25	V
	V+			4.75		5.5	V
	V-			-4.75		-5.5	V
<b>Operating Supply Current</b>							
VDD	I <sub>DD1</sub>				2.5	7	mA
V+	I <sub>DD2</sub>				4	14	mA
V-	I <sub>EE1</sub>				4	12	mA



## AC ELECTRICAL CHARACTERISTICS

PARAMETER	SYMBOL	LIMITS			UNITS	
		MIN	TYP	MAX		
<b>SPI INTERFACE TIMING</b>						
SCK clock period	tCYC	200			ns	
$\overline{CS}$ active after last SCK rising edge	tCHH	10			ns	
$\overline{CS}$ setup time to first SCK rising edge	tCES	10			ns	
$\overline{CS}$ hold time after last SCK falling edge	tCEH	40			ns	
$\overline{CS}$ inactive between SPI instructions	tCPH	35			ns	
SPI SI Data set-up time to SCK rising edge	tDS	30			ns	
SPI SI Data hold time after SCK rising edge	tDH	30			ns	
SCK rise time	tSCKR			10	ns	
SCK fall ime	tSCKF			10	ns	
SCK pulse width high	tSCKH	90			ns	
SCK pulse width low	tSCKL	80			ns	
SO valid after SCK falling edge	tDV			95	ns	
SO high-impedance after SCK falling edge	tCHZ			100	ns	
<b>TRANSMITTER TIMING</b>						
SPI transmit data write or FIFO clear instruction to TFLAG (Empty or Full)	tFLAG			120	ns	
SPI instruction to ARINC 429 data output - Hi Speed	tSDAT			17	$\mu$ s	
SPI instruction to ARINC 429 data output - Lo Speed	tSDAT			118	$\mu$ s	
Delay TFLAG high after enable transmit - Hi Speed	tDATT			14	$\mu$ s	
Delay TFLAG high after enable transmit - Lo Speed	tDATT			114	$\mu$ s	
Line driver transition differential times:						
(High Speed, control register CR10 = Logic 0)	high to low	tfx	1.0	1.5	2.0	$\mu$ s
	low to high	trx	1.0	1.5	2.0	$\mu$ s
(Low Speed, control register CR10 = Logic 1)	high to low	tfx	5.0	10	15	$\mu$ s
	low to high	trx	5.0	10	15	$\mu$ s

## ORDERING INFORMATION

HI - 3587 **xx x x**

PART NUMBER	LEAD FINISH
Blank	Tin / Lead (Sn / Pb) Solder
F	100% Matte Tin (Pb-free, RoHS compliant)

PART NUMBER	TEMPERATURE RANGE	FLOW	BURN IN
I	-40°C TO +85°C	I	No
T	-55°C TO +125°C	T	No

PART NUMBER	PACKAGE DESCRIPTION
PC	44 PIN PLASTIC CHIP-SCALE, QFN (44PCS)
PQ	44 PIN PLASTIC QUAD FLAT PACK, PQFP (44PTQS)

---

## REVISION HISTORY

---

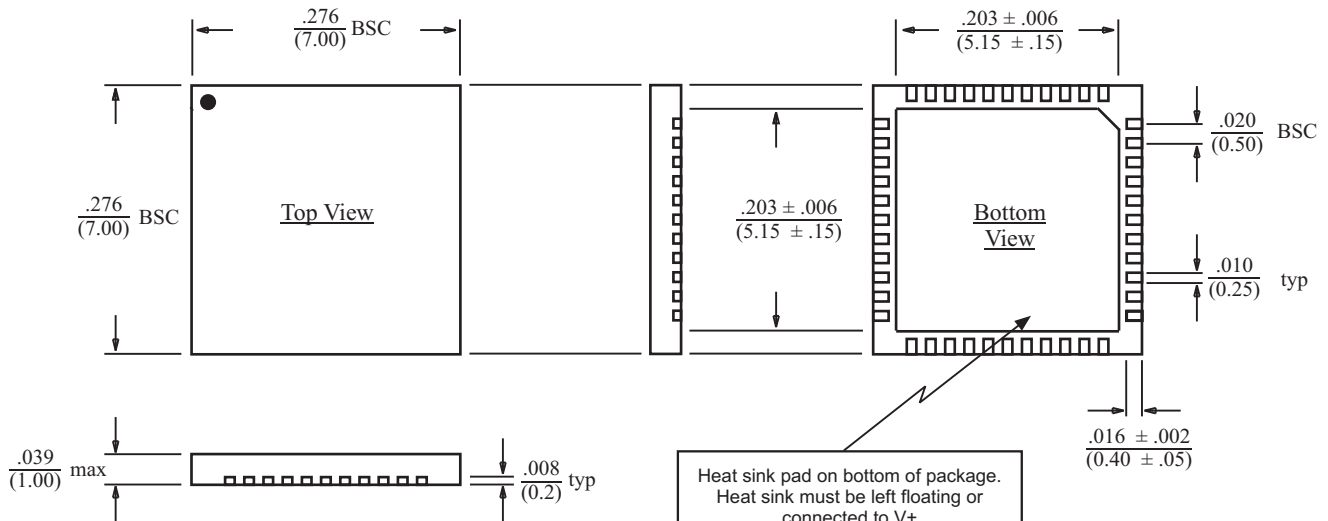
Revision	Date	Description of Change
DS3587, Rev. NEW	05/08/08	Initial Release
Rev. A	06/09/08	Clarified the FIFO description
Rev. B	10/10/08	Revised AC Electrical Characteristics
Rev. C	05/22/09	Clarified the relationship between SPI bit order and the ARINC 429 bit order
Rev. D	06/09/09	Clarified the written description of CR1 and its relationship with ACLK.

---

**44-PIN PLASTIC CHIP-SCALE PACKAGE (QFN)**

*inches (millimeters)*

Package Type: 44PCS



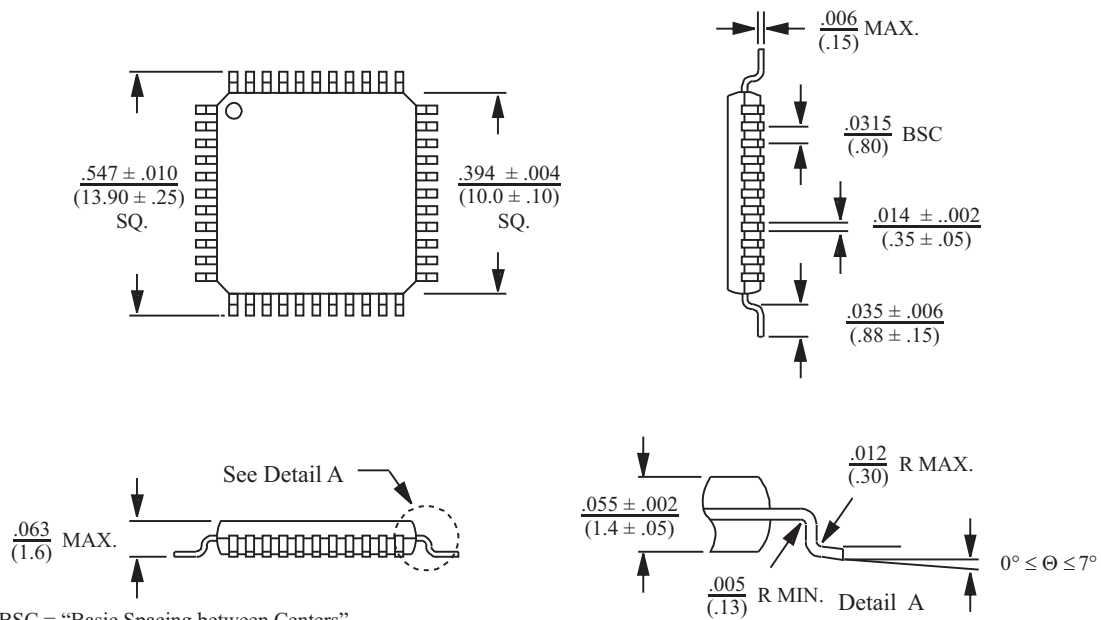
Heat sink pad on bottom of package.  
Heat sink must be left floating or  
connected to V+  
DO NOT connect to GND, VDD or V-.

BSC = "Basic Spacing between Centers"  
is theoretical true position dimension and  
has no tolerance. (JEDEC Standard 95)

**44-PIN PLASTIC QUAD FLAT PACK (PQFP)**

*inches (millimeters)*

Package Type: 44PTQS



BSC = "Basic Spacing between Centers"  
is theoretical true position dimension and  
has no tolerance. (JEDEC Standard 95)